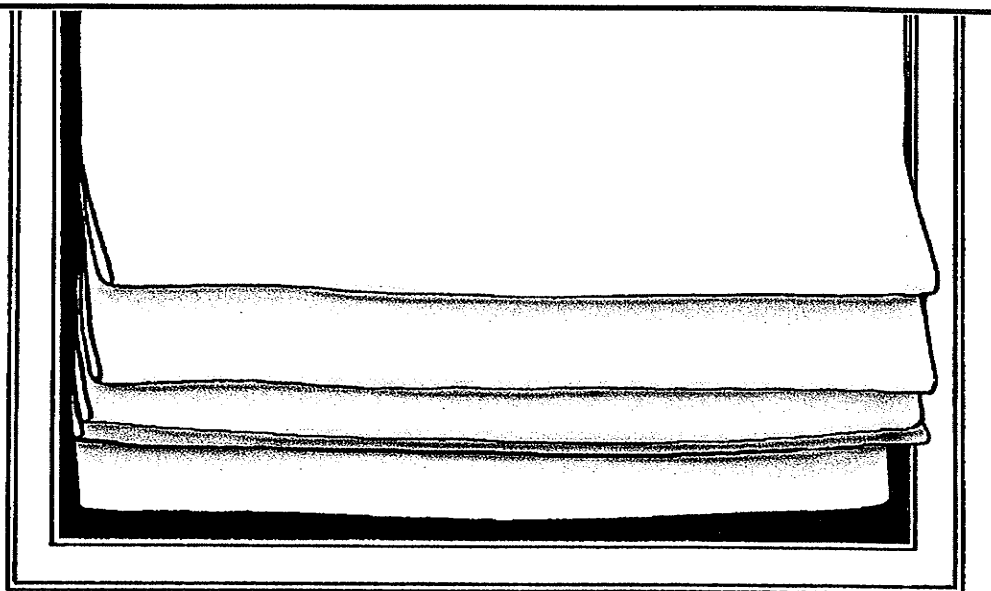


How to make a ROMAN BLIND



Using our Roman blind tape (CT618) and baton

This method does not have front battens so the resulting blind has a much softer look along the folds.

Lincraft
Create a beautiful life.

STEP 1

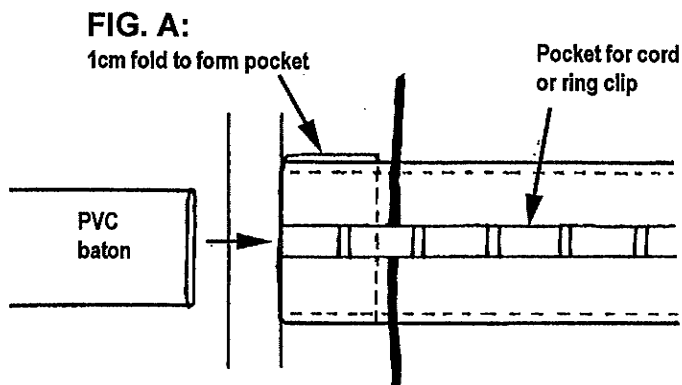
Hem (approx. 2cm) the base, sides, and top of the blind to desired width and length.

STEP 2

Attach ungathered heading tape or touch tape to the top of the blind to form heading.

STEP 3

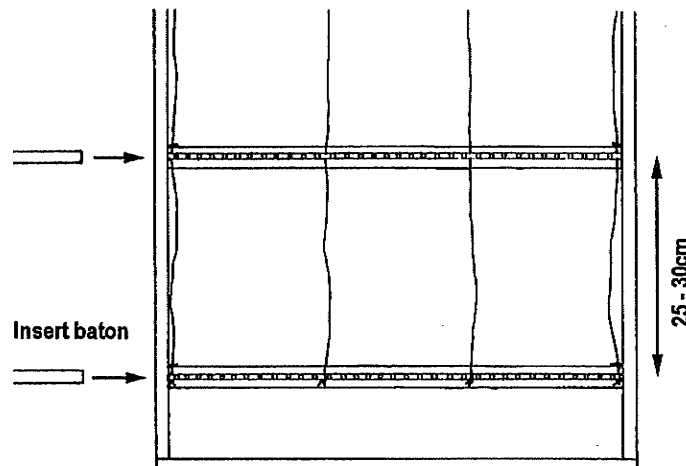
Stitch 618 tape across the wrong side of fabric, stitching along both edges of tape to create a sleeve for baton to be fed into. Fold approximately 1cm tape in at each end making a pocket for end of lath to slip into (see Fig. A).



STEP 4

Continue adding rows of tape in this fashion at approximately 25-30cm intervals up the blind to give the roman folds.

Note: Tape is one sided so ensure that the pockets for cords are uppermost when tape is flat on fabric.



STEP 5

Insert batons into pockets of tape. Cords can be threaded directly through pockets, or festoon rings can be attached then cords threaded through these. Don't forget to tie off bottom of cord.

STEP 6

Attach to soft shade track according to track instructions.

STEP 7

After setting curtain into closed position, knot cords together then plait remaining cords. Use barrel or trumpet to give finishing touch.

STEP 8

Attach cleat to architrave.

Now...look for selected items in store.